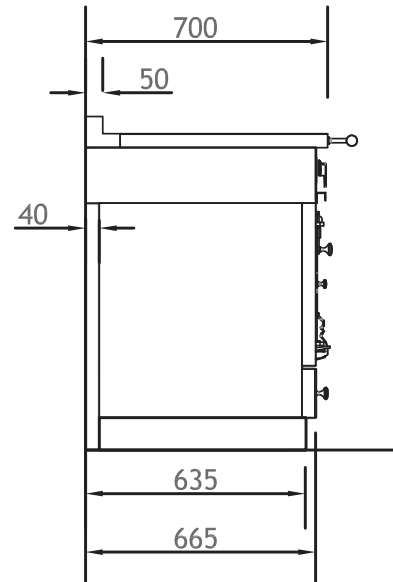
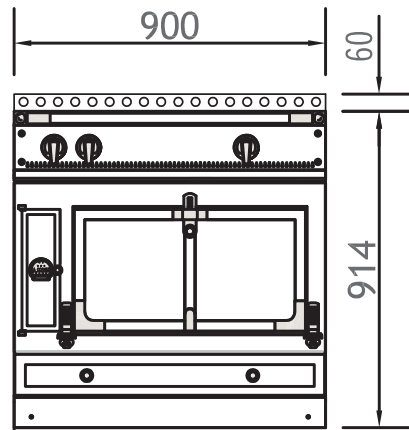


## 90: G49



The Chateau 90 is small but impressive, perfect for smaller kitchens deserving of a powerful yet compact range. With one grand vaulted oven in either gas or electric, this range measures just under 36" and offers five rangetop options to maximize performance.



## SPECIFICATIONS

## CHÂTEAU 90: G49

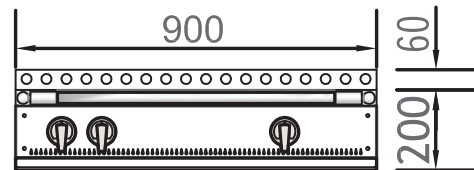
900 W x 700 D x 920 H (mm)  
35.4 W x 27.6 D x 36 H (inches)  
Approx. 330 lb. uncrated, 600 lb. crated  
Choice of 5 top configurations  
**Starting from \$34,100**

## STANDARD FEATURES INCLUDE:

1 Grand Vaulted Gas Oven with Electric Broiler 22.6W x 19.8D x 11.8H – 3.1 cubic feet (left)  
1 Grand Vaulted Electric Oven with Electric Broiler 22.6W x 17.5D x 11.8H – 2.7 cubic feet (right)

## CHÂTEAU RANGETOP 90: T49

900 W x 700 D x 200 H (mm)  
35.4 W x 27.6 D x 7.9 H (inches)  
Approx. 150 lb. uncrated, 250 lb. crated  
Choice of 5 top configurations  
**Starting from \$14,300**



## LE CHÂTEAU OPTIONS

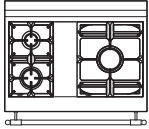
*Enamel and Metal Body Options:* Chateau ranges are available in a variety of 50 enamel or metal body finishes, and can also be customized in a one-of-a-kind color. Prices may vary depending on colors selected.

*Trim Options:* Polished Brass, Brushed Brass, Brushed Stainless Steel, Brushed Nickel, Polished Chrome, Polished Copper, Matte Black, Black Shiny Chrome, Matte Bronze, Brushed Copper and Polished Stainless Steel. Prices may vary depending on trims selected.

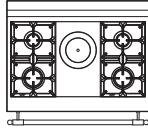


# 90 : G49

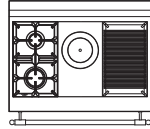
## RANGETOP CONFIGURATIONS



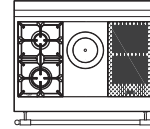
**90 US C1**  
2 gas burners (small burner at the back)  
1 maxi burner



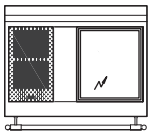
**90 US C2**  
2 gas burners (small burner at the back)  
1 Plaque "French Top" (small)  
2 gas burners (small burner at the back)



**90 US C3**  
2 gas burners (small burner at the back)  
1 Plaque "French Top" (small)  
1 gas lava-rock grill



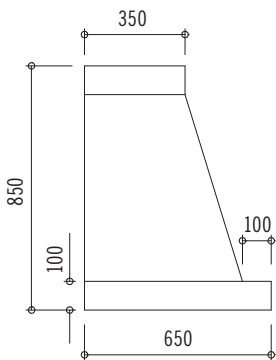
**90 US C5\***  
2 gas burners (small burner at the back)  
1 Plaque "French Top" (small)  
2 induction plates



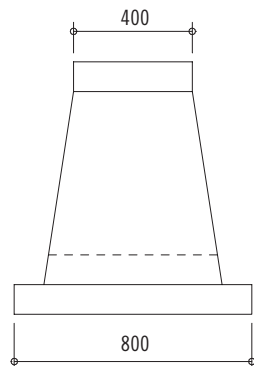
**90 US CC\***  
2 induction plates  
1 large electric Teppan-Yaki

\*Induction element incurs an upcharge of \$2,200 per element

## CHÂTEAU SERIES HOODS



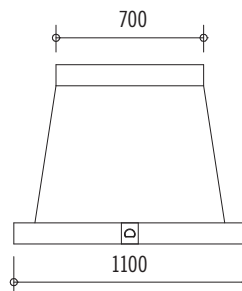
**Standard Configuration Wall Hood**  
Side View



**Standard Configuration Island Hood**  
Side View

Since every installation is unique, Hotte Chateau hoods are sold without a blower system, as a shell-only. Motorized hoods are available for standard wall-mounted Hotte Chateau. Please contact your local HVAC contractor to discuss specific installation requirements. La Cornue does offer standard Chateau hood models with blower option, as noted below. For custom inserts, please inquire with Middleby Residential directly.

Traditional wall mounted hood. Island Hoods are also available. Custom Hoods available by quote. Hood height may be increased up to 1500 mm/ 59 inches by adding height to the upper band (total maximum height would be 2250 mm/88.5 inches).



**HOTTE CHATEAU 90: H11T0**  
1100 W x 850 H x 650 D (mm)  
43.3 W x 33.5 H x 25.6 D (inches)  
**Shell-Only Starting from \$8,500**  
**Mortorized Hood Starting from \$11,100**  
**Island configuration: H11C0**  
**Starting from \$14,500**

\*Motorized Factory installed blower and liner are available for the Chateau Hotte wall mounted hoods only. Motorized hoods include a 1200 CFM blower for all two oven cookers and a 600 CFM blower for all one oven cookers. They also include, liner, lights, mesh magnetic filters and a remote control.