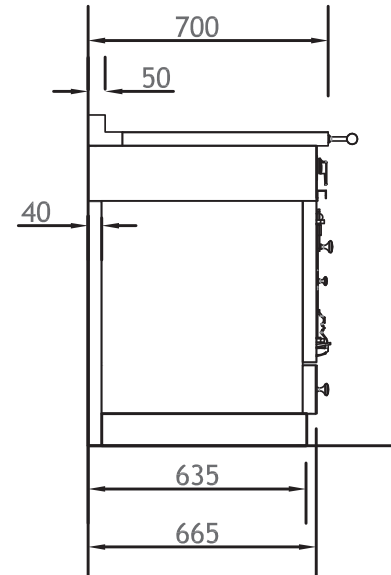
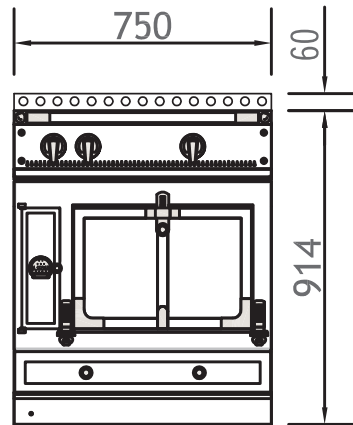


75 : G47



The Chateau 75 is the baby of the family, a small but stately range which can satisfy the La Cornue passion. Nearly 30" in width, this range features one vaulted oven, either gas or electric, and five rangetop configurations.



SPECIFICATIONS

CHÂTEAU 75: G47

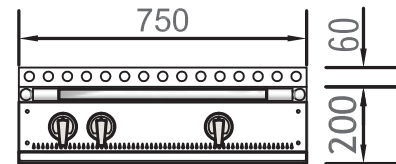
750 W x 700 D x 920 H (mm)
29.5 W x 27.6 D x 36 H (inches)
Approx. 290 lb. uncrated, 600 lb. crated
Choice of 5 top configurations
All-electric range available
Starting from \$25,700

STANDARD FEATURES INCLUDE:

- 1 Vaulted Gas Oven with Electric Broiler 16.8W x 19.8D x 11.8H – 2.3 cubic feet (left)
- 1 Vaulted Electric Oven with Electric Broiler 16.8W x 17.5D x 11.8H – 2.0 cubic feet (right)

CHÂTEAU RANGETOP 75: T47

750 W x 700 D x 200 H (mm)
29.5 W x 27.6 D x 7.9 H (inches)
Approx. 130 lb. uncrated, 250 lb. crated
Choice of 5 top configurations
Starting from \$9,900



LE CHÂTEAU OPTIONS

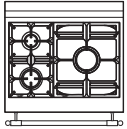
Enamel and Metal Body Options: Chateau ranges are available in a variety of 48 enamel or metal body finishes, and can also be customized in a one-of-a-kind color. Prices may vary depending on colors selected.

Trim Options: Polished Brass, Brushed Brass, Brushed Stainless Steel, Brushed Nickel, Polished Chrome, Polished Copper, Matte Black, Black Shiny Chrome, Bronze, Brushed Copper and Polished Stainless Steel.

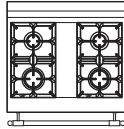


75 : G47

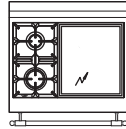
RANGETOP CONFIGURATIONS



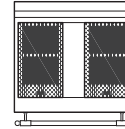
75 US B1
2 gas burners (small burner at the back)
1 maxi burner



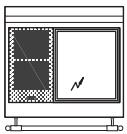
75 US B2
2 gas burners (small burner at the back)
2 gas burners (small burner at the back)



75 US B3
2 gas burners (small burner at the back)
1 large electric Teppan-Yaki



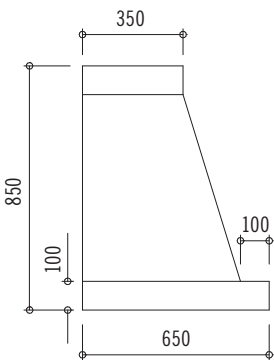
75 US BA*
2 induction plates
2 induction plates



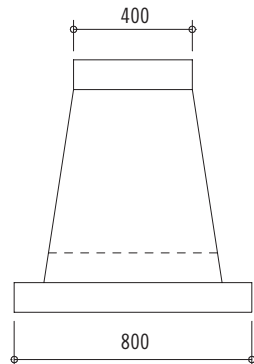
75 US BB*
2 induction plates
1 large electric Teppan-Yaki

*Induction element incurs an upcharge of \$2,200 per element

CHÂTEAU SERIES HOODS



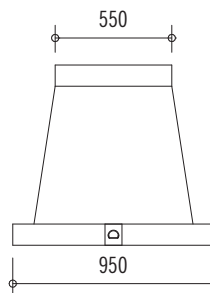
Standard Configuration Wall Hood
Side View



Standard Configuration Island Hood
Side View

Since every installation is unique, Hotte Chateau hoods are sold without a blower system, as a shell-only. Motorized hoods are available for standard wall-mounted Hotte Chateau. Please contact your local HVAC contractor to discuss specific installation requirements. La Cornue does offer standard Chateau hood models with blower option, as noted below. For custom inserts, please inquire with Purcell Murray directly.

Traditional wall mounted hood. Island Hoods are also available. Custom Hoods available by quote. Hood height may be increased up to 1500 mm/ 59 inches by adding height to the upper band (total maximum height would be 2250 mm/88.5 inches).



HOTTE CHATEAU 75: H95TO
950 W x 850 H x 650 D (mm)
37.4 W x 33.5 H x 25.6 D (inches)
Shell-Only Starting from \$7,800
Motorized Hood Starting from \$10,300
Island configuration: H95CO
Starting from \$13,400

*Motorized Factory installed blower and liner are available for the Chateau Hotte wall mounted hoods only. Motorized hoods include a 1200 CFM blower for all two oven cookers and a 600 CFM blower for all one oven cookers. They also include, liner, lights, mesh magnetic filters and a remote control.